

READY TO RETIRE  
YOUR OLD MANUAL-LIFT  
PALLET JACK?

UPGRADE NOW  
TO A NEW  
ELECTRIC-DRIVE UNIT

## HYBRID PALLET JACK

### A New Game Changer!

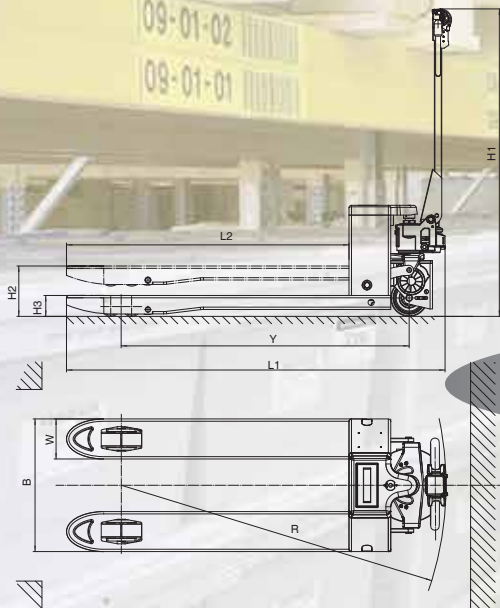
-  *Lithium Battery*
-  *Smart Body*
-  *Smooth Operations*
-  *Powerful*
-  *Portable*
-  *User Friendly*
-  *Maintenance Free*



# VIMAR ET15MH

Specifications:

1	Manufacturer		VIMAR
2	Model		ET15MH
3	Operator type		Walkie
4	Load Capacity	Q	1500kg/3300lbs
5	Load Center	C	600mm/24"
6	Wheelbase	Y	1170mm/1240mm (46"/48.8")
7	Service Weight		125kg/275lbs
8	Overall Height	H1	1250mm/49"
9	Lift Height	H2	200mm/8"
10	Fork Height (Lowered)	H3	85mm/3.3"
11	Overall Length	L1	1540mm/1610mm (60.6"/63.4")
12	Overall Width	B	540mm/680mm (21"/27")
13	Fork Size	L2	540x1150mm/680x1220mm (21"x45"/27"x48")
14	Travel Speed (laden/unladen)		4/4.5kmh (2.5/2.8mph)
15	Max. Gradeability (laden/unladen)	%	3%/20%
16	Battery Voltage/ Capacity	V/Ah	24V/20Ah Li-Battery
17	Turning Radius	R	1320mm/1390mm (52"/55")



• **Handle** Ergonomically designed  
Smart and comfortable

Safety reverse button

Accelerator

LED battery level indicator

Lowering release lever



2hr-5hr  
for full battery charge

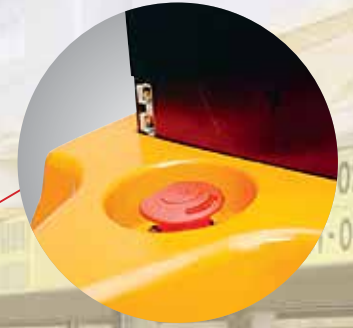
• **Portable Lithium Battery**

**2** year battery warranty  
**3** kg / **6.6** lbs total weight  
**20** second quick charge



• **Battery Access**

Designed for easy disconnect of battery plug  
Battery transportable for convenient charging



• **Key-Switch**

Automatic Power-Save mode  
if Key-Switch is left on



• **Forks**

High strength steel  
Smooth entrance/exit design for pallets

• **Driving Unit** PG Controller

High Quality Motor

Durable Drive Wheel

